



Majestic



CATCH'N AIR



32 CAPACITY



A popular 60's
ride
designed for
today's times!

CATCH'N AIR by MAJESTIC MANUFACTURING
A thrilling family ride with a unique circular experience. Providing an unmatched feeling of exhilaration as it accelerates up the hill leaving you breathless and a sense of weightlessness as you go airborne.



**PORTABLE & PARK MODEL
UNITS AVAILABLE**



The simple, strong and durable construction allows for an extremely easy set-up and tear-down, as well as ease of operation and maintenance!

MAJESTIC MANUFACTURING INC.
4536 STATE ROUTE 7
NEW WATERFORD, OH (USA) 44445

TOLL FREE : 1-888-MAJ-RIDE
(625-7433)
FAX : (330) 457-7490

Specifications CATCH'N AIR

DIMENSIONS:

ERECTED 49' WIDE X 62' DEEP X 22' HIGH

TRAILERING:

HEIGHT 13'-5"
WIDTH 8'-6"
LENGTH 53'
WEIGHT 56,000 LB.
SUSPENSION TANDEM AXLE AIR RIDE

ELECTRICAL:

RIDE 220 V, 3-PHASE, 55 kW
250 AMP SERVICE

MOTOR 40 HP 150 AMP

LIGHTS 100 AMP

100' STANDARD LEAD IN CABLE

LIGHTING:

SOLID STATE FLASHER
SIGN WITH LIGHTED RIDE NAME (110V LIGHTS)
MULTICOLORED LIGHTS ON EACH SWEEP (110V LIGHTS)

CAPACITY:

NUMBER OF TUBS	8
MAX NUMBER OF PASSENGERS PER TUB	4 RIDERS
MAX PASSENGER WEIGHT PER TUB	680 LB.
MAX NUMBER OF RIDERS	32 RIDERS
MAX TOTAL PASSENGER WEIGHT	5440 LB.

PERFORMANCE:

ROTATION	12 RPM	COUNTERCLOCKWISE (FORWARD)
	10 RPM	CLOCKWISE (REVERSE)

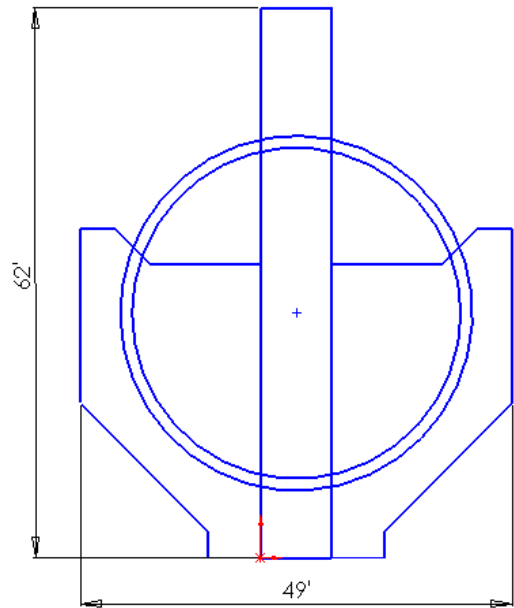
HILL 7' HIGH
SAME SHAPE AS ORIGINAL FLYING COASTER

FORCE EXPERIENCED BY PASSENGERS	2.5 G'S POSITIVE
	0.5 G'S NEGATIVE

RIDE DURATION (RECOMMENDED) 1 ½ MIN.

SET-UP TIME:

2 MEN 3 HOURS
SELF CONTAINED 12V HYDRAULIC SYSTEM FOR LEVELING
110V NEEDED FOR PORTABLE SET-UP



4536 State Route 7 – New Waterford, Ohio 44445 – Phone: (330) 457-2447
1-888-MAJ-RIDES (1-888-625-7433) – Fax: (330) 457-7490